

## DESCRIPTION

- Metal Wand
- Reflex™ pulldown system offers smoother operation, easy movement and secure docking
- PowerBoost™ technology provides boosted water performance with the push of a button
- Duralock™ quick connect installation
- Metal construction with various finishes identified by suffix
- Pulldown spray with 68" braided hose
- High arc spout provides height and reach to fill or clean large pots while pullout wand provides the maneuverability for cleaning or rinsing
- 360° rotating spout
- Flexible supply lines with 3/8" compression fittings

## OPERATION

- Decorative and non-decorative handle lever
- Four function spray wand : stream, spray, boosted stream and boosted spray
- Operates with less than 5 lbs. of force
- Operates in stream or spray mode in the pulldown or retracted position
- Temperature controlled by 100° arc of handle travel

## FLOW

- Flow is limited to 1.5 gpm (5.7 L/min) at 60 psi

## CARTRIDGE

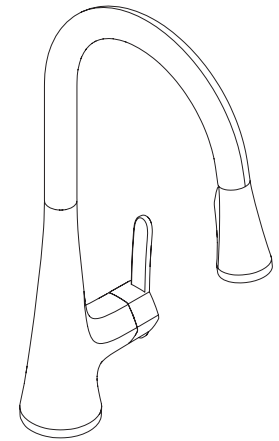
- 1255™ Duralast™ cartridge for Single-Handle Faucets
- Engineered polymers, non-ferrous and stainless steel materials

## STANDARDS

- Third party certified to IAPMO Green, ASME A112.18.1/CSA B-125.1 and all applicable requirements referenced therein including NSF 61/9 & 372
- Meets CalGreen and Georgia SB370 requirements
- Complies with California Proposition 65 and with the Federal Safe Drinking Water Act
- ADA ♿ for lever handle
- The backflow protection system in this device consists of two independently operating check valves, a primary and a secondary which prevent backflow

## WARRANTY

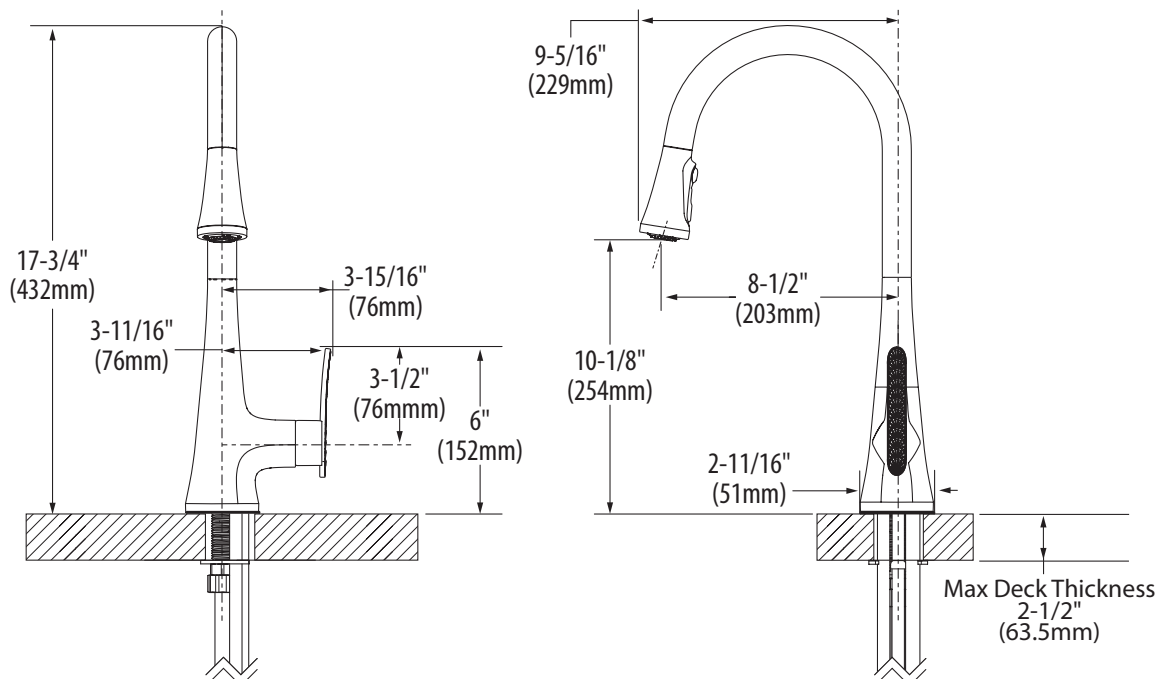
- Lifetime limited warranty against leaks, drips and finish defects to the original homeowner
  - 10 year limited warranty when used in a multifamily installation
  - 5 year limited warranty when used in a commercial installation
- Visit [www.moen.com/support](http://www.moen.com/support) for complete details and limitations



**Sinema™**  
**Single-Handle High Arc**  
**Pulldown Kitchen Faucet**

**Models:** S7235 series

**NOTE:** THIS FAUCET IS DESIGNED  
TO BE INSTALLED THROUGH 1  
HOLE, 1-1/2" (38mm) MIN. DIA.



## CRITICAL DIMENSIONS

(DO NOT SCALE)