

DESCRIPTION

- Chrome plated cast brass construction
- 1/2" IPS connections
- Supplied with vandal resistant screws

OPERATION

- Pull-on/Push-off lever style handle with hot and cold color indicators
- Temperature controlled by 110° arc of handle travel


FLOW

- Aerator is limited to 1.5 gpm max (5.7 L/min)

CARTRIDGE

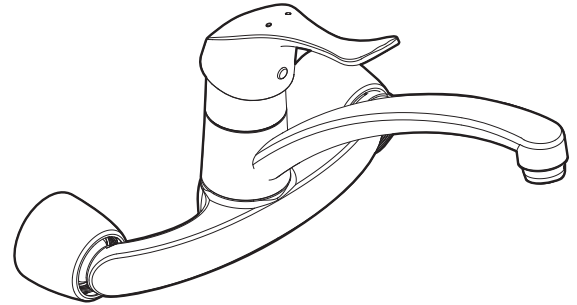
- 1255™ Duralast® 40mm cartridge with all brass adjustable temperature limit stop and cartridge nut
- Nonmetallic/nonferrous and ceramic material

STANDARDS

- Third party certified to meet ASME A112.18.1/CSA B-125.1 and all applicable specifications referenced therein
- Certified to NSF 61/9
- Complies with California Proposition 65 and with the Federal Safe Drinking Water Act
- Contains no more than 0.25% weighted average lead content
- **ADA**  for lever handle

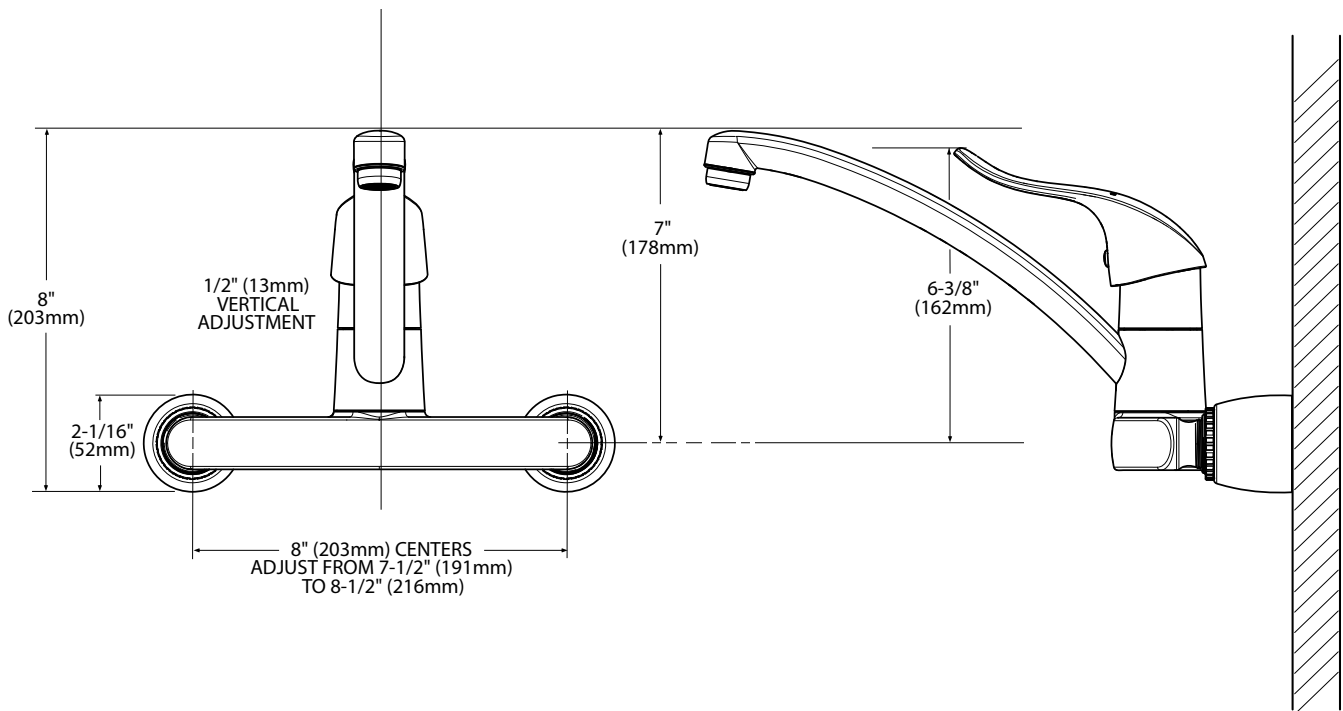
WARRANTY

- Warranted for 5 years against material or manufacturing defects



Single-Handle Wall Mount Kitchen Faucet

MODEL	SPOUT
8713	9"
8714	12"



CRITICAL DIMENSIONS

(DO NOT SCALE)