

# BRIZO®

## HOT WATER DISPENSERS

- Single Handle Deck Mount
- 1 Hole Sink Applications
- Integrated Supply Tubes
- Compatible exclusively with InSinkErator® hot water tanks
- Engineered to function with HWT300-F2000S, HWT300-F3000S or HWT-300 InSinkErator® tank models
- Tank and filter not available from Brizo

### FEATURES:

- Lumicoat® Finishes easily wipe clean without cleaners and chemicals on the products most commonly touched areas

### STANDARD SPECIFICATIONS:

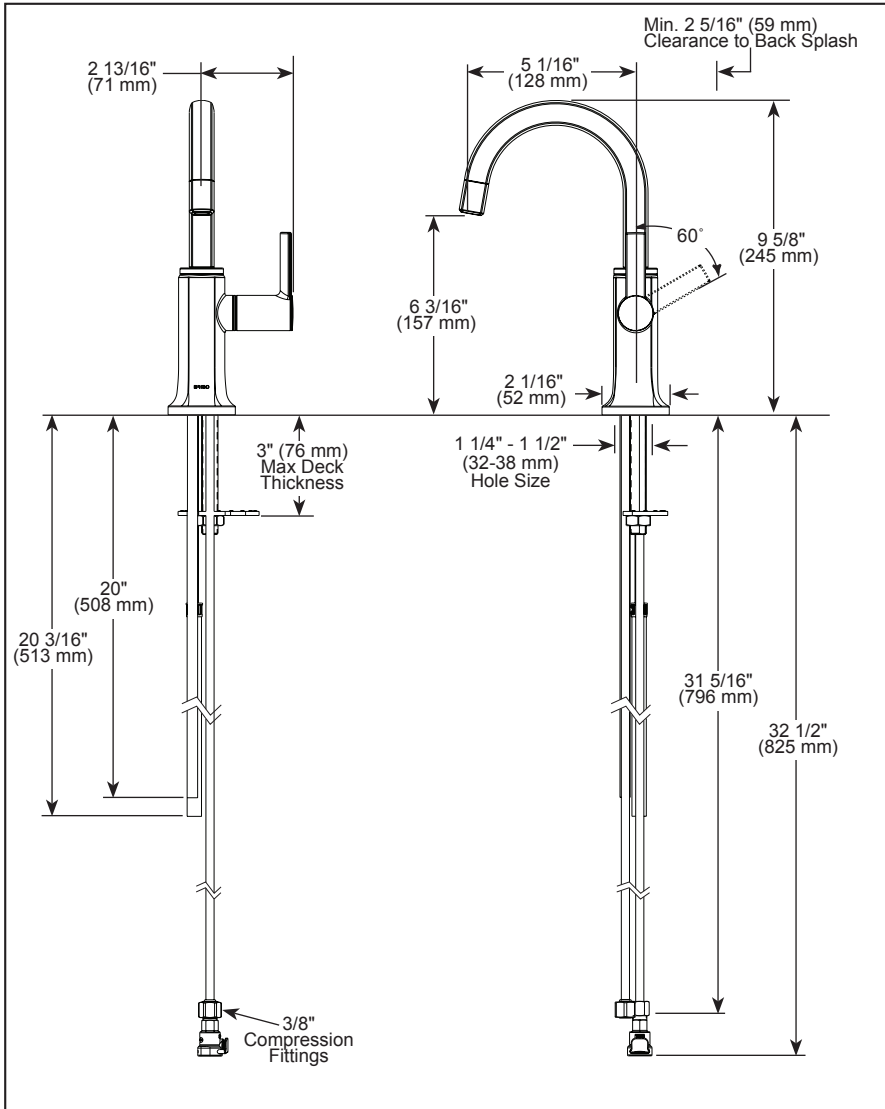
- Laminar water stream with max flow rate 1.0 gpm @ 60 psi, 3.8 L/min @ 414 kPa
- Solid brass construction
- Spout swings 360°
- Self closing handle
- Spring Loaded ceramic disc valve cartridge
- Insulated body and spout to reduce heat transfer to faucet
- Mounting wrench to assist in tightening mounting nut securely
- Integrated supply tube with 3/8" compression fitting

### WARRANTY

- Parts and Finish - Lifetime limited warranty; or for commercial purchasers, 10 years for multi-family residential (apartments and condominiums) and 5 years for all other commercial uses, in each case from the date the product is received by the original purchaser or their authorized representative (installation contractor, etc.).
- Electronic Parts and Batteries (if applicable) - 5 years from the date the product is received by the original purchaser or their authorized representative (installation contractor, etc.); or for commercial purchasers, 1 year from the date the product is received by the original purchaser or their authorized representative (installation contractor, etc.). No warranty is provided on batteries.

### COMPLIES WITH:

- ASME A112.18.1 / CSA B125.1
- ASME A112.18.6
- ♿ Indicates compliance to ICC/ANSI A117.1



▲ Designate proper finish suffix

Brizo Kitchen & Bath Company reserves the right (1) to make changes in specifications and materials, and (2) to change or discontinue models, both without notice or obligation. Dimensions are for reference only. See current full-line price book or [www.brizo.com](http://www.brizo.com) for finish options and product availability.

BSP-K-61306LF-H Rev. B

**Brizo Kitchen & Bath Company**

55 E. 111th Street, Carmel, IN 46280  
 350 South Edgeware Road, St. Thomas, ON N5P 4L1  
 © 2023 Brizo Kitchen & Bath Company