

### Features

- Two quarter-turn washerless ceramic disc valves.
- Ceramic disc valves resist deterioration and mineral buildup, resulting in long-lasting, reliable performance.
- High-arch gooseneck swing spout and 360-degree spout rotation offer superior clearance for filling pots and cleaning.
- 10-1/4" (260 mm) gooseneck swing spout reach.
- Two lever handles offer separate control of hot and cold water.
- Coordinates with other products in the HiRise collection.
- 1.5 gal/min (5.7 l/min) maximum flow rate [max at 60 psi (4.14 bar)]

### Material

- Stainless-steel construction.
- KOHLER finishes resist corrosion and tarnishing.

### Installation

- Two-hole installation for 8" (203 mm) centers.



ADA CSA B651

### Codes/Standards

ASME A112.18.1/CSA B125.1  
NSF/ANSI 61  
NSF/ANSI 372  
All applicable US Federal and State material regulations  
DOE - Energy Policy Act 1992  
California Energy Commission (CEC)  
ADA  
ICC/ANSI A117.1  
CSA B651

### KOHLER® Faucet Lifetime Limited Warranty

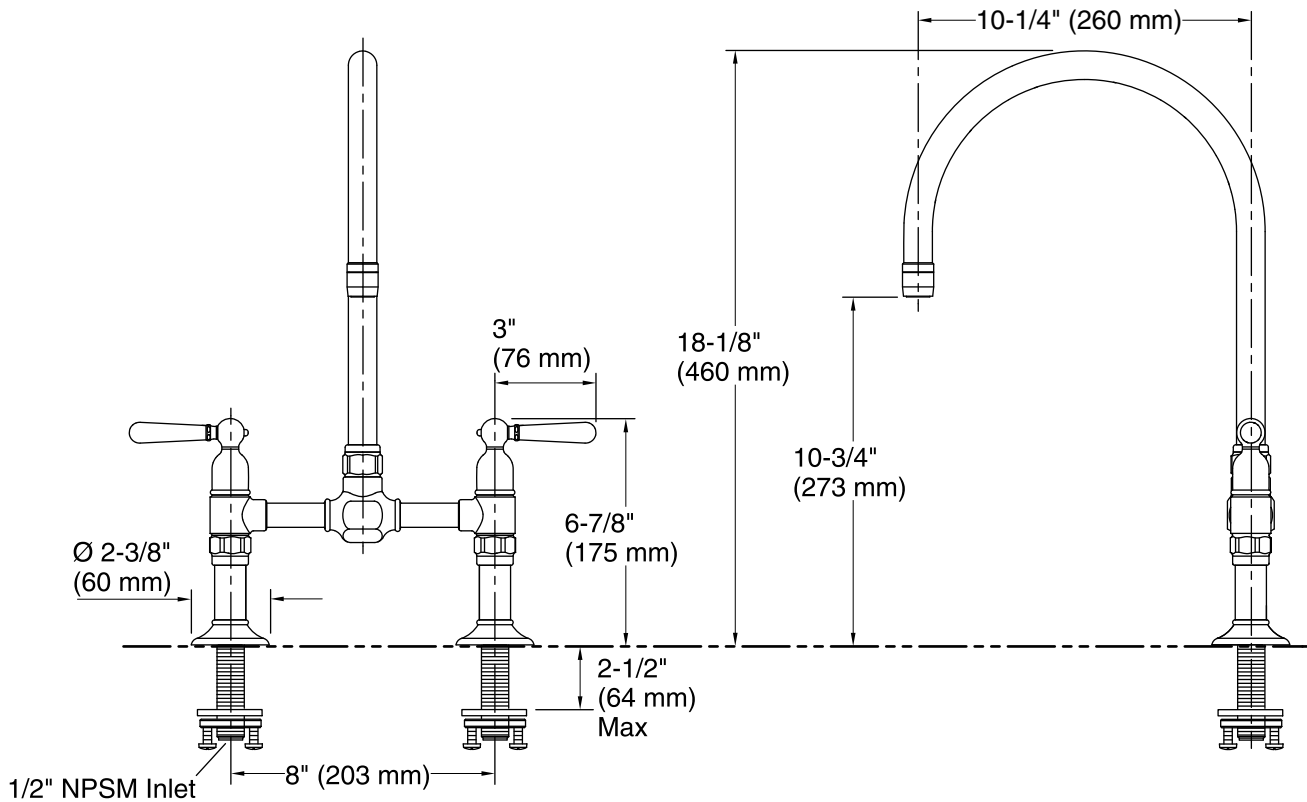
See website for detailed warranty information.

### Available Colors/Finishes

*Color tiles intended for reference only.*

#### Color Code Description

	S	Polished Stainless
	BS	Brushed Stainless



### Technical Information

All product dimensions are nominal.

#### Faucet:

Flow rate: 1.5 gal/min (5.7 l/min)

Pressure: 60 psi (4.1 bar)

### Notes

Install this product according to the installation guide.

ADA, CSA B651 compliant when installed to the specific requirements of these regulations.