

Features

- Single remote lever handle allows for both volume and temperature control
- Temperature memory allows faucet to be turned on and off at any temperature setting.
- Includes touch-activated drain
- KOHLER ceramic disc valves exceed industry longevity standards for a lifetime of durable performance
- 1.2 gal/min (4.5 l/min) maximum flow rate [max at 60 psi (4.14 bar)].
- 2" (51 mm) diameter valve.
- 5-1/4" (133 mm) spout reach.
- Ideal for vessel sink applications
- Coordinates with Loure faucets, accessories, and showering components to complete your bathroom.
- Lower flow aerator available (refer to the KOHLER Price Book).

Material

- Premium Metal Construction
- KOHLER finishes resist corrosion and tarnishing.

Installation

- Single-hole mounting
- Pre-attached flexible supply lines simplify installation



ADA CSA B651 OBC

Codes/Standards



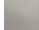
ASME A112.18.1/CSA B125.1
NSF/ANSI 61
NSF/ANSI 372
All applicable US Federal and State material regulations
DOE - Energy Policy Act 1992
EPA WaterSense®
California Energy Commission (CEC)
ADA
ICC/ANSI A117.1
CSA B651
OBC

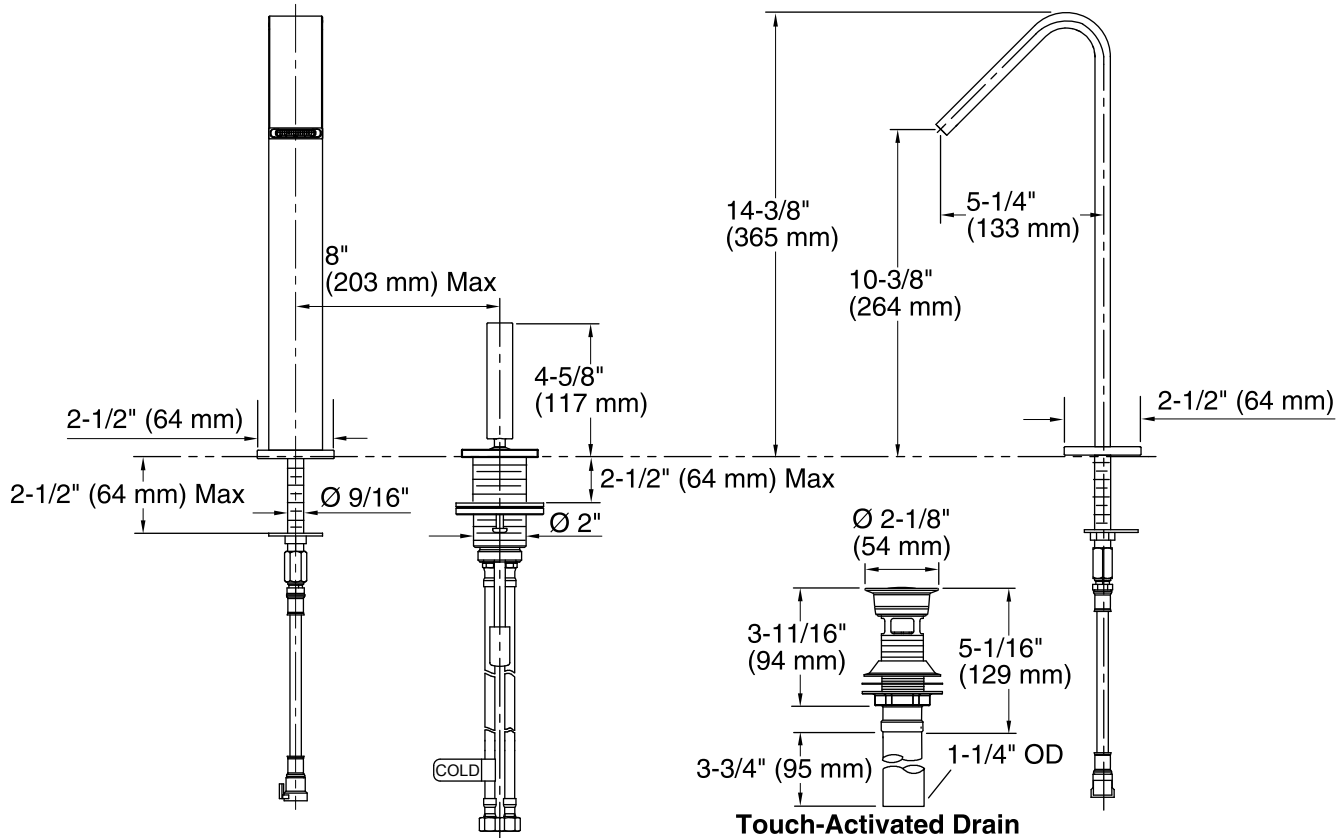
KOHLER® Faucet Lifetime Limited Warranty

See website for detailed warranty information.

Available Colors/Finishes

Color tiles intended for reference only.

Color	Code	Description
	CP	Polished Chrome
	SN	Vibrant® Polished Nickel
	BN	Vibrant® Brushed Nickel



Technical Information

All product dimensions are nominal.

Faucet:

Flow rate: 1.2 gal/min (4.5 l/min)

Pressure: 60 psi (4.1 bar)

Drain included: Yes

Drain tailpiece included: Yes

Spout:

Spout reach: 5-1/4" (133 mm)

Notes

Install this product according to the installation guide.

NOTICE: Due to the non-standard 2" (51 mm) diameter of the remote valve, the remote valve cannot be mounted through a standard 1-3/8" (35 mm) faucet hole of a sink. Choose a sink without faucet holes, then mount the faucet and remote valve through the countertop. Refer to the countertop manufacturer's instructions for proper hole drilling.

ADA, OBC, CSA B651 compliant when installed to the specific requirements of these regulations.